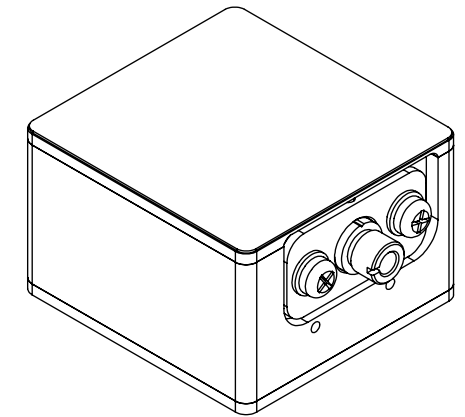


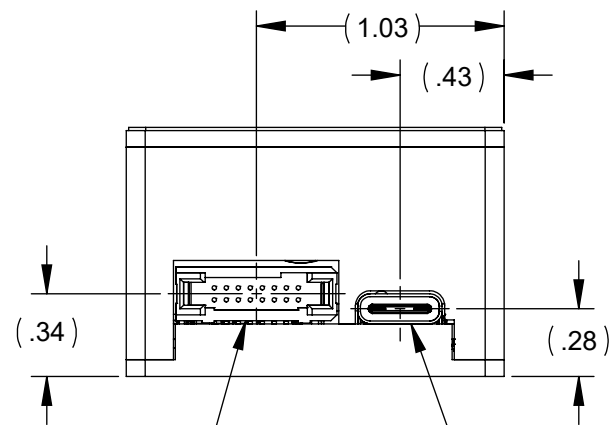
GENERAL NOTES:

1. DIMENSIONS ARE SUBJECT TO CHANGE WITHOUT NOTICE.

REVISION				
REV	DESCRIPTION	ECN	DATE	BY

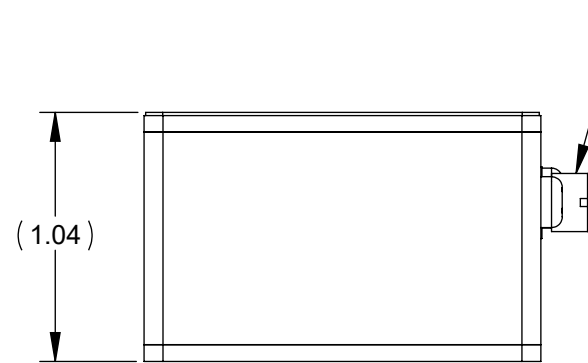


ISOMETRIC VIEW
FOR REFERENCE ONLY

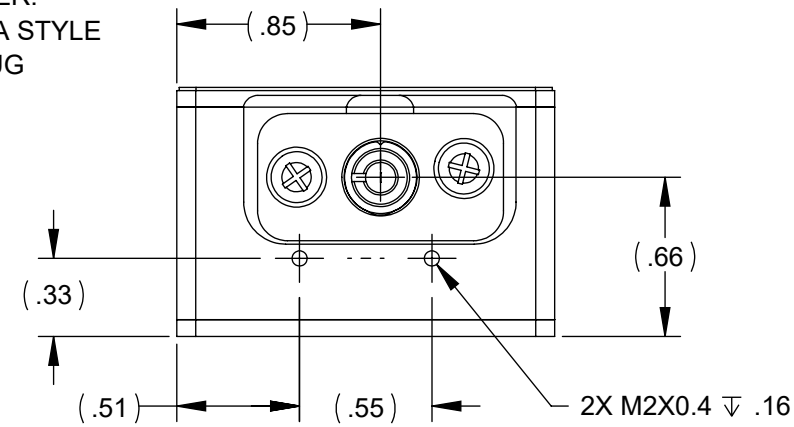


SAMTEC CONNECTOR
TFM-108-02-L-DH

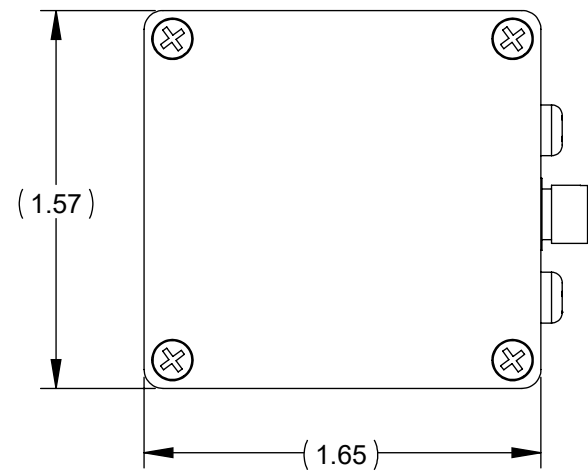
USB TYPE "C"



FIBER:
SMA STYLE
PLUG



2X M2X0.4 ∇ .16



<p>Ocean Insight</p> <p>3500 Quadrangle Blvd. Orlando, FL 32817 727 733 2447 www.oceaninsight.com</p> <p>PROPRIETARY AND CONFIDENTIAL</p> <p>THE INFORMATION CONTAINED IN THIS DRAWING IS THE SOLE PROPERTY OF OCEAN INSIGHT, INC.</p> <p>ANY REPRODUCTION IN PART OR AS A WHOLE WITHOUT THE WRITTEN PERMISSION OF OCEAN INSIGHT, INC. IS STRICTLY PROHIBITED.</p> <p>DO NOT SCALE DRAWING</p>	<p>- DIMENSIONS IN INCHES - UNLESS OTHERWISE NOTED</p> <p>.XX ±.01</p> <p>.XXX ±.005</p> <p>.XXXX ±.0005</p> <p>Angular ±0.5°</p> <p>THIRD ANGLE PROJECTION</p> <p>INTERPRET GEOMETRIC TOLERANCING PER: ASME Y14.5-2018</p> <p>MATERIAL</p> <p>FINISH</p>	DATE	NAME	TITLE: UV ASSEMBLY, ST
		MODELED	07/28/22	
		DRAWN	07/28/22	KRH
		COMMENTS:		PART NO. C11-00000-190_CC
		SIZE B	DWG. NO. C11-00000-190_CC	REV A
		SCALE: N/A		SHEET 1 OF 1